

Built-in bottom-freezer refrigerators

General features

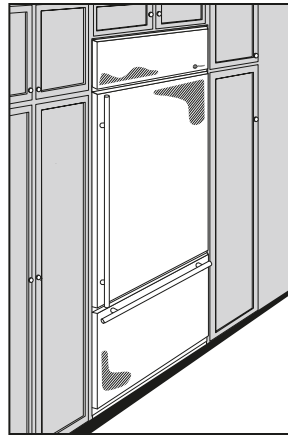
Customization. Monogram® built-in custom refrigerators require door and grille panels. These models also accept framed or overlay custom panels from your cabinetmaker. Stainless steel-wrapped models are shipped ready for installation.

Temperature-management system. The temperature-management system with upfront electronic controls delivers cool, fresh air to every shelf.

Flexible storage. In the fresh-food compartment, four split shelves and six adjustable door bins offer convenient access to contents. The large full-extension freezer drawer has an automatic icemaker and storage bins that slide out independently of one another for easy loading and unloading.

ENERGY STAR® qualified. As an ENERGY STAR partner, GE has determined that all Monogram 36" bottom-freezer refrigerators meet the ENERGY STAR guidelines for energy efficiency.

For additional details on product installation, warranty coverage, care and maintenance, visit monogram.com.

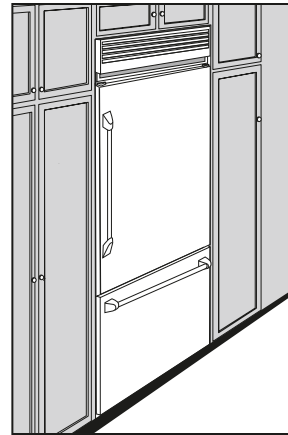


36" built-in stainless steel refrigerators

ZICS360NXRH, ZICS360NXLH

Overall dimensions (WxHxD in inches):
36 x 84 x 23-7/8 (behind frame)
115 Volts/20 Amps
 Approx. shipping wt. (lbs.) 675

- 20.6 cu. ft. capacity
- ENERGY STAR qualified
- Equipped to accept optional Sabbath mode kit, ZSAB1
- Concealed door hinge
- Easy-access hinged grille
- Four-point leveling system
- Adjustable door stop (90°/130°)
- Stainless steel-wrapped doors
- Trimmed (semi-flush) installation
- Door swing preference must be specified
- Unified grille kit for side-by-side installation of two bottom-freezer refrigerators

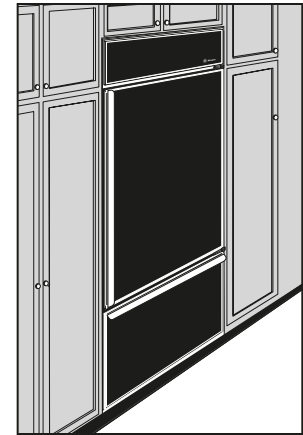


36" built-in professional refrigerators

ZICP360NXRH, ZICP360NXLH

Overall dimensions (WxHxD in inches):
36 x 84 x 23-7/8 (behind frame)
115 Volts/20 Amps
 Approx. shipping wt. (lbs.) 675

- 20.6 cu. ft. capacity
- ENERGY STAR qualified
- Equipped to accept optional Sabbath mode kit, ZSAB1
- Concealed door hinge
- Easy-access hinged grille
- Four-point leveling system
- Adjustable door stop (90°/130°)
- Stainless steel-wrapped doors, professional handles and louvered grille panel
- Trimmed (semi-flush) installation
- Door swing preference must be specified
- Unified grille kit for side-by-side installation of two bottom-freezer refrigerators



36" built-in refrigerators

ZIC360NXRH, ZIC360NXLH

Overall dimensions (WxHxD in inches):
36 x 84 x 23-7/8 (behind frame)
115 Volts/20 Amps
 Approx. shipping wt. (lbs.) 675

- 20.6 cu. ft. capacity
- ENERGY STAR qualified
- Equipped to accept optional Sabbath mode kit, ZSAB1
- Concealed door hinge
- Easy-access hinged grille
- Four-point leveling system
- Adjustable door stop (90°/130°)
- Trimmed (semi-flush) installation
- Door swing preference must be specified
- Door panels required
- No kits required for customization
- Two-position handle adjusts to accommodate 1/4" framed or 3/4" overlay panels
- Unified grille kit for side-by-side installation of two bottom-freezer refrigerators

For kosher kitchens, an optional kit allows Monogram side-by-side refrigerators and bottom-freezer refrigerators to run in Sabbath mode.

Fully integrated refrigerators / wine reserve

Built-in side-by-side refrigerators

Built-in bottom-freezer refrigerators

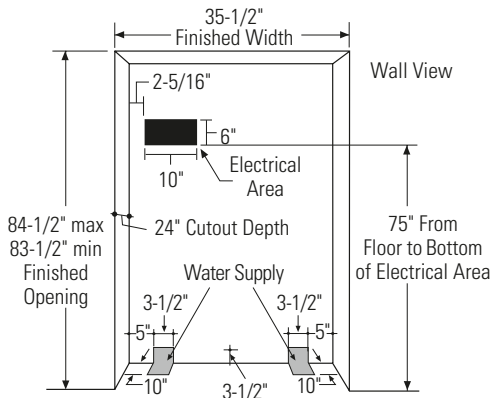
Built-in all-refrigerators and all-freezers

Free-standing refrigerators

Advance planning for 36" built-in bottom-freezer refrigerators

The installation space

The finished cutout width must be 35-1/2".



The cutout depth must be 24"

The refrigerator will project forward, slightly beyond adjacent cabinetry, depending on your installation.

The cutout depth beneath a soffit

When installed beneath a soffit, the soffit cannot exceed the 24" installation depth shown. The top case trim overlaps the bottom of the soffit.

Electrical

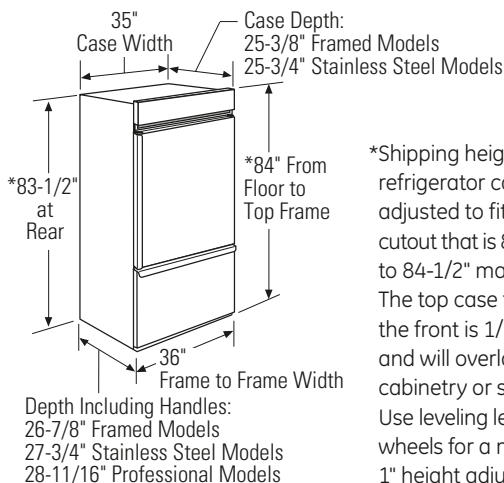
A 115V, 60Hz., 15- or 20-amp power supply is required. An individual properly grounded branch circuit or circuit breaker is recommended. Install a properly grounded 3-prong electrical receptacle recessed into the back wall. Electrical must be located on rear wall as shown.

Note: GFI (ground fault interrupter) is not recommended.

Water line

All models are equipped with an automatic icemaker. The cold water line can enter the opening through the floor or back wall. Route GE SmartConnect™ kit or 1/4" O.D. copper tubing between the cold water line and the water connection location at the front of the refrigerator. The installation of an easily accessible shut-off valve in the water line is required.

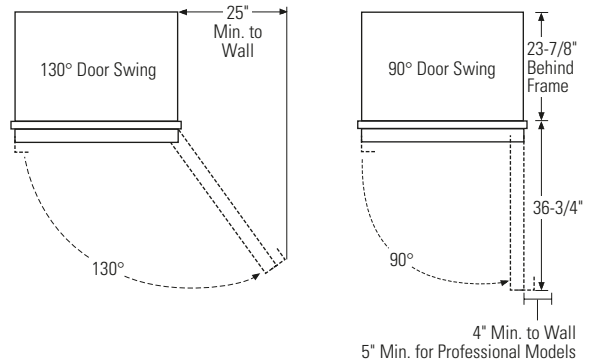
Product dimensions



*Shipping height. The refrigerator can be adjusted to fit into a cutout that is 83-1/2" min. to 84-1/2" max. height. The top case trim at the front is 1/2" higher and will overlap upper cabinetry or soffit. Use leveling legs and wheels for a maximum 1" height adjustment.

Door swing clearances

The installation must allow for clearances to adjacent walls or cabinets. These refrigerators are equipped with a 2-position door stop. The factory-set 130° door swing can be adjusted to 90° if clearance to adjacent cabinets or walls is restricted. Order WX14X99 door stop for precise settings between 90° and 130°.



Observe all minimum clearances shown above for a 90° or 130° door swing. A 90° door swing allows pan access, but removal is restricted.

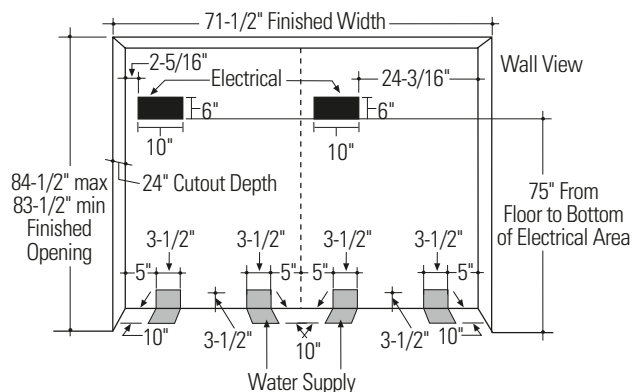
- 4" minimum clearance is required when the door swing is adjusted to 90°. If the 90° door stop position is used, pan access is maintained, but pan removal is restricted.
- See door swing illustrations to determine interaction with adjacent cabinets or countertops.

ZUG2, ZUGSS2 and ZUGPP2 unified grille panel kit

- If you are installing two refrigerators side by side (a left-hand and a right-hand door swing), the installation space must be 71-1/2" wide.

Note: Additional cutout width may be required when side panels are used. Add side panel thickness to the finished cutout to calculate rough-in width.

- The water and electrical locations for each product must be located as shown.
- A separate 115V, 60Hz., 15- or 20-amp power supply is recommended for each product.

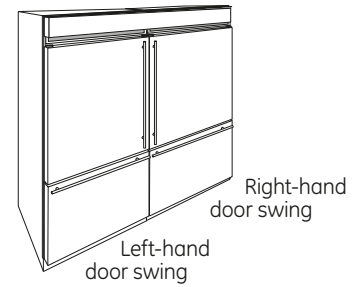


The serial plate is located inside the fresh food compartment, below the bottom storage drawer on the right side.

Advance planning for built-in bottom-freezer refrigerators

Customization basics: framed or overlay panels, custom handles and accessory kits

These bottom-freezer refrigerators are factory set for a left or right door swing. The door swing is NOT reversible. Choose an RH model with hinge on the right side; the door swings left to right. Choose an LH model with hinge on the left side; the door will swing right to left.



Professional refrigerators

ZICP360NXLH, ZICP360NXRH

Stainless steel-wrapped refrigerators with professional handles, louvered grille panel and chamfered door edges. These models are shipped ready for installation.

European refrigerators

ZICS360NXLH, ZICS360NXRH

European style refrigerators have wrapped doors and grille panel, beveled edges and tubular stainless steel handles. These models are shipped ready for installation.

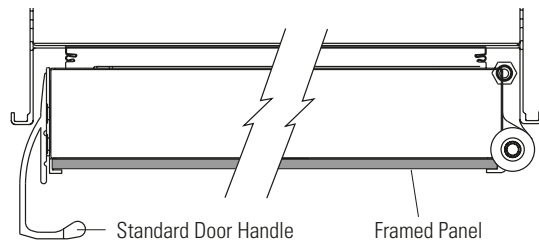
Custom refrigerators

ZIC360NXLH, ZIC360NXRH

Custom refrigerators are designed to be customized with decorative panels. Field-installed custom door and grille panels are required.

Framed panels

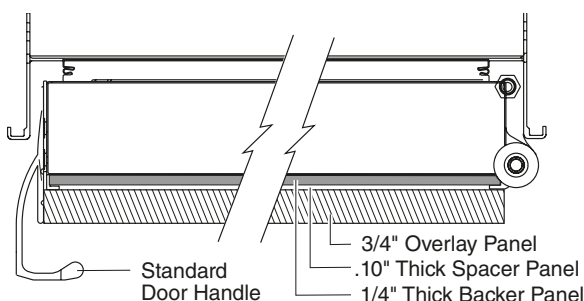
You may install 1/4"-thick custom panels from your cabinet manufacturer. The decorative panel or accessory panel slides into the factory-installed trim.



Standard supplied handles shown in 1/4" panel position.

Overlay panels

You may also choose to install custom overlay panels from your cabinet manufacturer. This design provides a seamless appearance which integrates smoothly with surrounding cabinetry.



Standard supplied handles shown in 3/4" overlay panel position.

Door handles

The supplied handles can be adjusted to accommodate both framed or overlay panels. Custom handles of your choice, supplied by your cabinetmaker, can also be installed. Order ZKHCT handle side trim kit for installation of custom handles.

Side panels

Side panels must be used whenever the sides of the refrigerator will be exposed.

Optional accessory kits

ZKHCS2: Monogram stainless steel tubular handle kit and handle side trim for custom handles. For use on 3/4" custom panels. Note: Fresh-food handle is 44-3/16" long, freezer handle is 33-3/16" long, and diameter for each is 3/4".

ZKHPSS1: Professional stainless steel tubular handles designed to fit 3/4" overlay panels. Kit includes one handle. Order two kits for bottom-freezer refrigerators. Note: The professional handle is 31" long.

ZKHCT: Handle side trim kit for left-hand and right-hand doors. For use on 3/4" custom panel when using a custom handle.

ZUG2: For side-by-side installation of two trimmed bottom-freezer refrigerators. This kit provides for the installation of a unified custom grille panel to span the width of two units using a framed or overlay panel. Note: This kit will unify a left-hand and right-hand door swing pair. It cannot be installed on two units with the same door swing.

ZUGSS2: For side-by-side installation of two stainless steel-wrapped bottom-freezer refrigerators. This kit provides a unified stainless steel grille panel to span the width of two units. Note: This kit will unify a left-hand and right-hand door swing pair. It cannot be installed on two units with the same door swing.

ZUGPP2: For side-by-side installation of two professional bottom-freezer refrigerators. This kit provides for the installation of a unified grille panel to span the width of two professional units. Note: This kit will unify a left-hand and right-hand door swing pair. It cannot be installed on two units with the same door swing.

ZSAB1 kit

For use on the Jewish Sabbath and holidays. While in Sabbath mode your refrigerator will still operate normally, but will not respond to your actions.

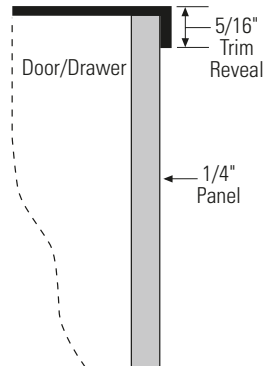
Advance planning for built-in custom bottom-freezer refrigerators

1/4" framed panel dimensions

If you choose to install framed panels, they must be cut to the dimensions shown. The panels will slide into the frame on the door, drawer and grille.

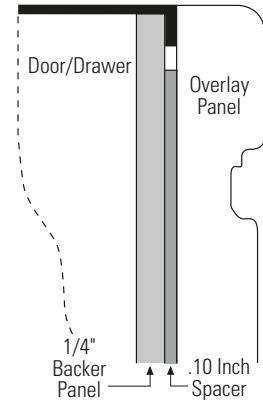
If the custom panel is less than 1/4" thick, and it fits loosely in the door frame, it can be backed up with a piece of filler material or foam tape to improve the fit.

Important note: Maximum weight for fresh food panel is 58 pounds, 28 pounds for freezer drawer panel and 11 pounds for the grille panel.

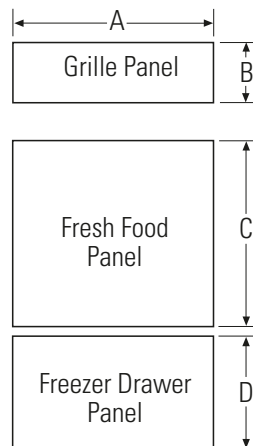


3/4" overlay panel dimensions

For a more custom appearance, overlay panels may be installed on trimmed models. The overlay panel must be secured to a 1/4"-thick backer panel which slides into the trim. A spacer panel .10" thick must be placed between the overlay and backer panel.



$$.250" + .10" + .750" = 1.100" \text{ total panel thickness}$$



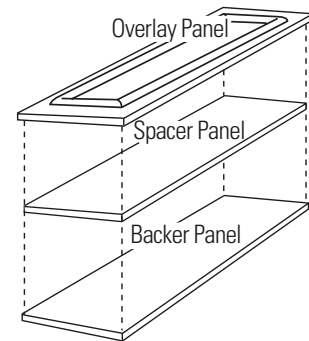
Framed panel dimensions (in inches)

	A (width)	B (grille ht.)	C (FF ht.)	D (FZ ht.)
1/4" framed panel	33-7/8	8-7/8	46-1/16	21-7/8

3/4" overlay panel dimensions (in inches)

	A (width)	B (grille ht.)	C (FF ht.)	D (FZ ht.)
1/4" backer panel	33-7/8	8-7/8	46-1/16	21-7/8
.10" spacer panel	32-1/2	7-5/8	44-11/16	20-1/2
3/4" overlay panel	34-1/8	9	46-5/16	22

Center each panel over the other. Assemble the panels with glue and screws. Screws must be countersunk into the backer panel.

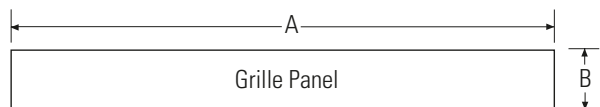


Note: Left-to-right offset is not always equal to top-to-bottom offset.

ZUG2 grille panel dimensions

The ZUG2 unified grille panel kit will accept a framed or overlay grille panel.

- Assemble the overlay panel in the same manner as the door and drawer panels.



Important: Grille panel maximum total weight is 25 lbs.

Framed panel dimensions

	A (width)	B (height)
1/4" framed panel	69-7/8"	8-7/8"

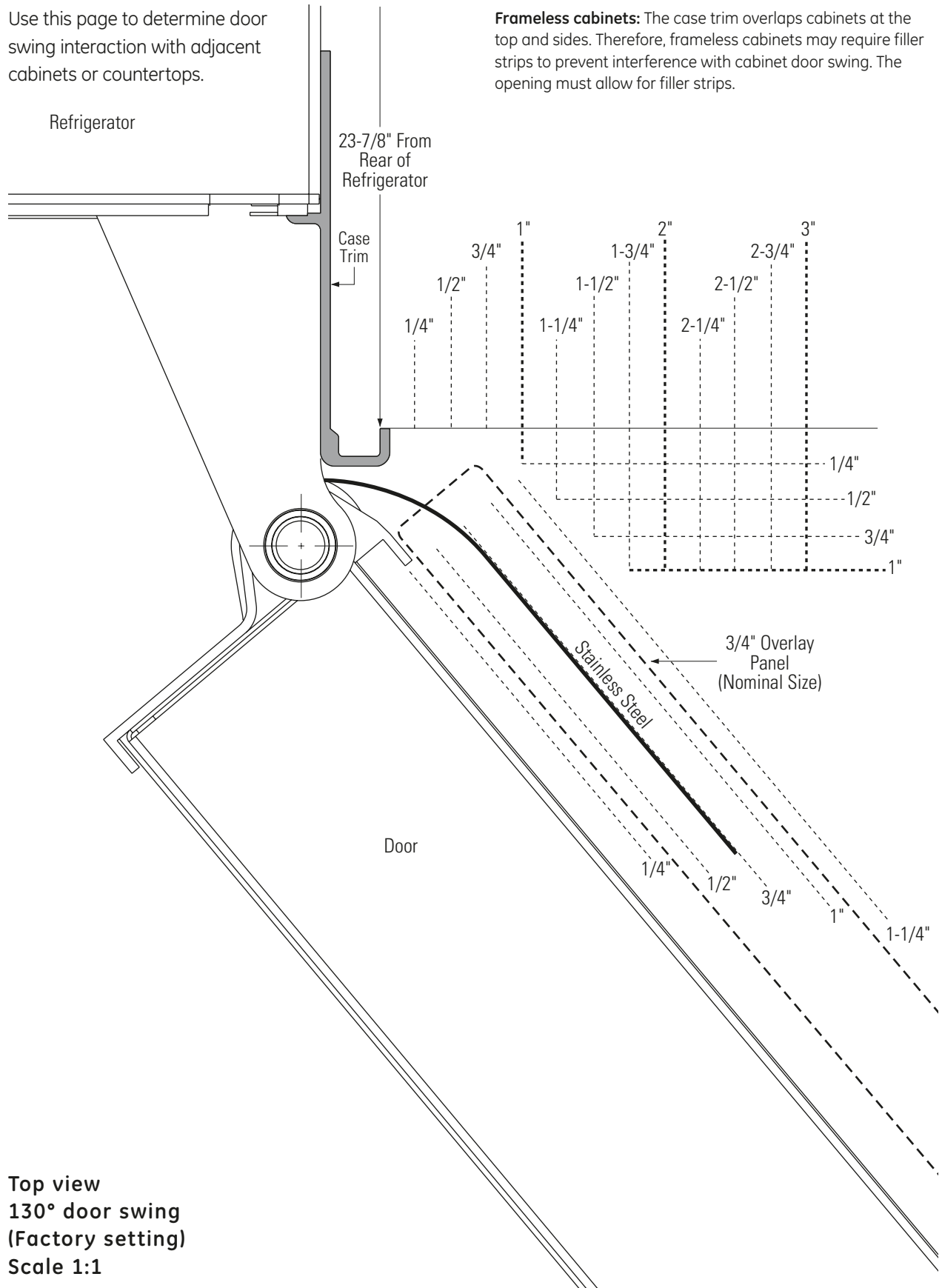
Overlay panel dimensions

	A (width)	B (height)
1/4" backer panel	69-7/8"	8-7/8"
.10" spacer panel	68-1/2"	7-5/8"
3/4" overlay panel	70-1/8"	9"

Advance planning for built-in custom bottom-freezer refrigerators

Use this page to determine door swing interaction with adjacent cabinets or countertops.

Frameless cabinets: The case trim overlaps cabinets at the top and sides. Therefore, frameless cabinets may require filler strips to prevent interference with cabinet door swing. The opening must allow for filler strips.



Top view
130° door swing
(Factory setting)
Scale 1:1

Fully integrated refrigerators / wine reserve

Built-in side-by-side refrigerators

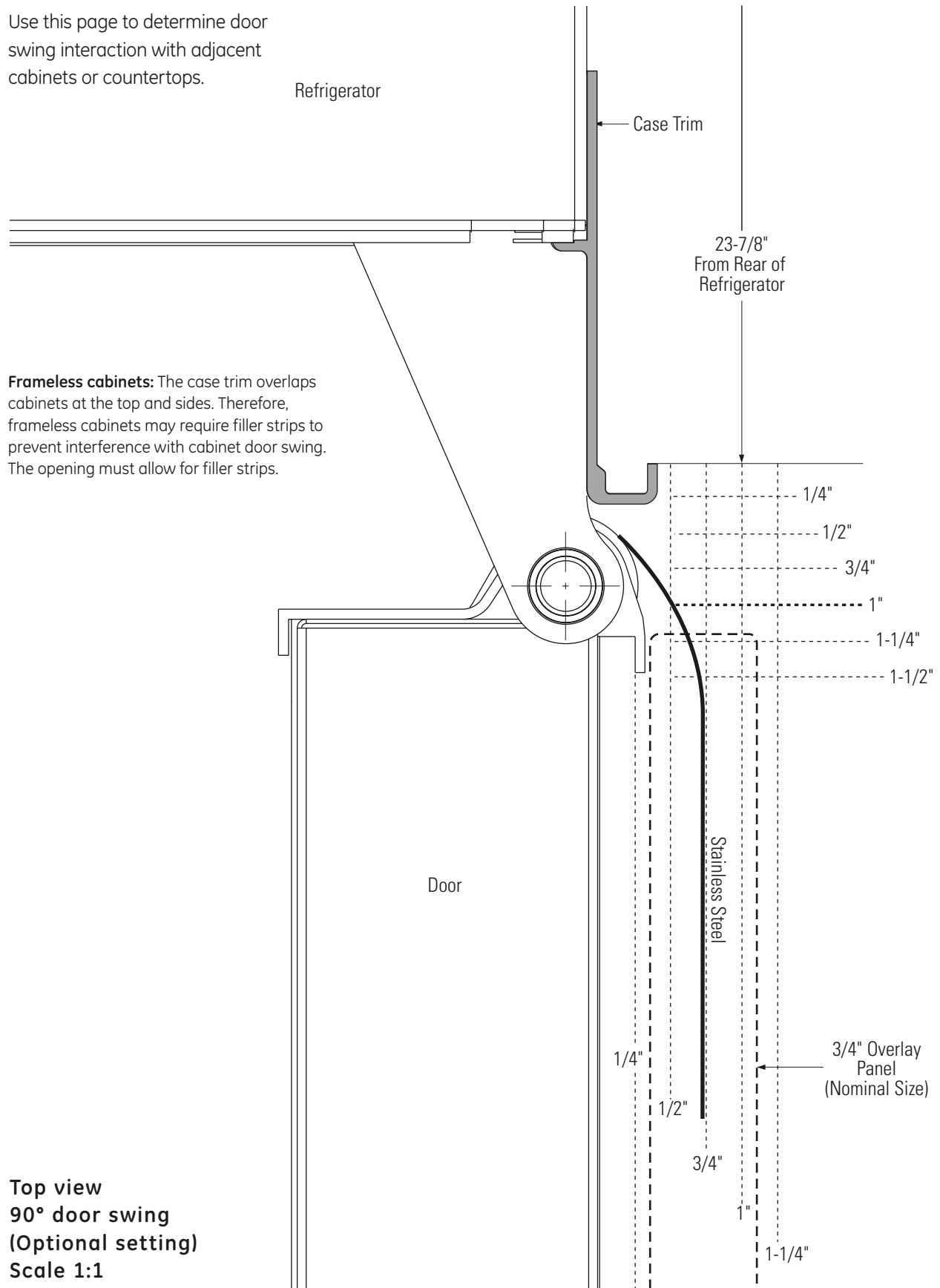
Built-in bottom-freezer refrigerators

Built-in all-refrigerators and all-freezers

Free-standing refrigerators

Advance planning for built-in custom bottom-freezer refrigerators

Use this page to determine door swing interaction with adjacent cabinets or countertops.



Frameless cabinets: The case trim overlaps cabinets at the top and sides. Therefore, frameless cabinets may require filler strips to prevent interference with cabinet door swing. The opening must allow for filler strips.

Top view
 90° door swing
 (Optional setting)
 Scale 1:1

Custom options for refrigerators

48", 42" and 36" side-by-side refrigerators

Models	ZISW480DX ZISW420DX ZISW360DX	ZISB480DX ZISB420DX ZISB360DX	ZIS480NX ZIS420NX ZIS360NX
Custom options			
Stainless steel tubular handles for overlay panels	ZKHSS2	ZKHSS2	ZKHSS2
Professional tubular stainless steel handles for overlay panels	ZKHPSS1*	ZKHPSS1*	ZKHPSS1*
Certified Sabbath mode kit	ZSAB1	ZSAB1	ZSAB1

*Includes one handle; order two kits for side-by-side refrigerators.

36" bottom-freezer refrigerators

Models	ZIC360NXRH ZIC360NXLH	ZICS360NXRH ZICS360NXXRH	ZICP360NXRH ZICP360NXLH
Custom options			
Stainless steel tubular handles for overlay panels	ZKHCSS2		
Professional tubular stainless steel handles for overlay panels	ZKHPSS1*		
Unified grille kit	ZUG2	ZUGSS2	ZUGPP2
Custom handle side trim kit for 3/4"-thick custom panels	ZKHCT		
Certified Sabbath mode kit	ZSAB1	ZSAB1	ZSAB1

*Includes one handle; order two kits for fresh food and freezer panels.

36" all-refrigerators and all-freezers

	all-refrigerators	ZIR360NXRH ZIR360NXLH	ZIRS360NXRH ZIRS360NXLH	ZIRP360NXRH ZIRP360NXLH
Models	all-freezers	ZIF360NXRH ZIF360NXLH	ZIFS360NXRH ZIFS360NXLH	ZIFP360NXRH ZIFP360NXLH
Custom options				
Stainless steel tubular handles for overlay panels		ZKHSS2		
Professional tubular stainless steel handles for overlay panels		ZKHPSS1		
Unified grille kit		ZUG2	ZUGSS2	ZUGPP2
Certified Sabbath mode kit		ZSAB1	ZSAB1	ZSAB1

Glossary of terms

Tubular stainless steel handle.

Monogram® stainless steel tubular handles can be used with custom panels. Tubular handles are 62-3/8" long.

Professional stainless steel handle.

Professional tubular stainless steel handle designed to fit 3/4" overlay panels. Kit includes one handle. The professional handle is 31" long.

Unified grille panel kit.

An optional grille panel creates a unified look above two units placed side by side.

Optional Sabbath mode product kit.

Designed for use on the Jewish Sabbath and holidays, this kit allows the refrigerator to operate but will not respond to actions by the consumer.